

Simply effective sealing

The MECO HH Type-2 is a fully custom, air-purged mechanical shaft seal. It can be quickly adjusted without disassembly of the seal by tightening the HH Type-2's simple adjusting clamp. Unlike standard stuffing box seals, the HH Type-2 is non-abrasive to the machine's shaft and can accommodate shaft runout. The HH Type-2 is available fully split for efficient installation and maintenance.

How it works

At the heart of the HH Type-2, two rotating polymer seal faces (rotors) slide against stationary, stainless-steel seal faces (stators) to form a dynamic seal. The polymer rotors are frictionally locked into rotation with the machine's shaft by an elastomer drive ring. The HH Type-2's stainless steel adjusting clamp squeezes the elastomer ring against the shaft, causing it to lengthen axially against the rotating seal faces to provide effective and adjustable seal face loading.

The HH Type-2's sliding seal faces are also pneumatically loaded by a compressed gas - typically air or inert gas - which also acts to clear the rotating seal faces of product and debris. In addition, the purge gas helps to isolate the process from the atmosphere.

Applications

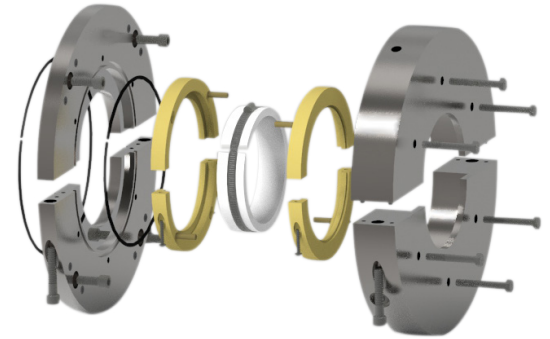
The HH Type-2 is often used for applications with intermediate process temperatures or applications with abrasive product. It is best suited for applications with infrequent, or no thermal expansion. The HH Type-2 can be used on horizontal, inclined, and vertical shafts. Several common machines and process material applications are listed below.

HH Type-2 machine applications

- Dryers
- Blenders
- Mixers

HH Type-2 process material applications

- Battery salts
- Sugars and other granular products
- Chocolate mixing



HH Seal features:

- ✓ Fully split
- ✓ Air-purged
- ✓ Adjustable w/o disassembly
- ✓ Elastomer driven



Sizing & material options

MECO's HH Type-2 is custom-engineered and manufactured to fit the needs of each application. Shaft sizes typically range from 1" (25 mm) to 12" (305 mm) and our engineers can accommodate most mounting arrangements.

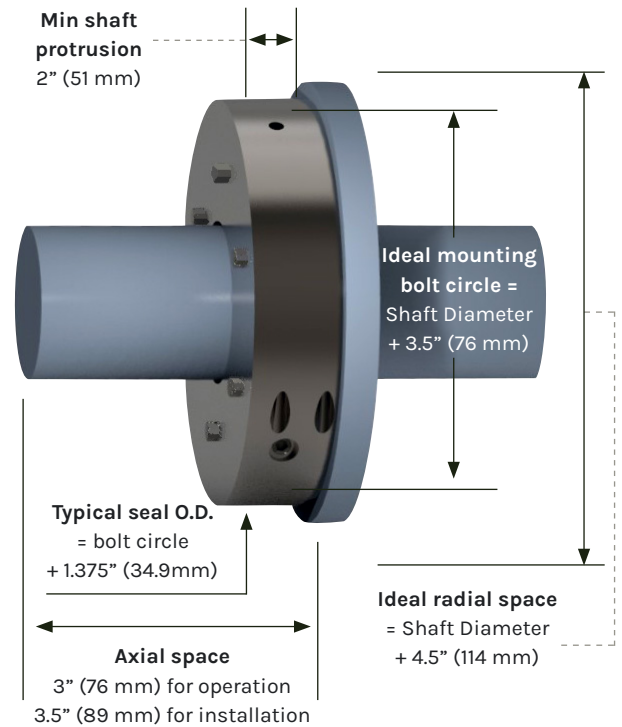
The HH Type-2 seal is available in a variety of materials. The most common materials are listed below, but alternative materials are available upon request. Contact us with your specific application requirements for a custom solution.

Stator materials	Drive elastomer materials	Rotor materials
304L stainless-steel	Viton®	MECO 3000 *
316L stainless-steel	Silicone	MECO 3120 *
17-4 stainless-steel	EPDM	MECO 3400 **

* FDA Approved Polymers

** EU10/2011 Approved Polymers

Fully-split FOR EXTERNAL MOUNTING



Maintenance

The HH Type-2's sealing performance can be easily monitored by maintenance and production personnel using the seal's pressure gauge system. The pressure gauge system is effective in quickly alerting maintenance and production personnel of a potential seal breach so that adjustments or repairs can be made before product leakage occurs.

Natural wear of the rotating seal faces that results in decreased seal face pressure can be accounted for by tightening the HH Type-2's adjusting clamp. The adjusting clamp is easily accessible through an adjustment port in the seal's outer diameter. Fully split rebuild kits are available if the seal's components are worn further than can be corrected by adjustments.

Operating parameters

Woodex-MECO specializes in custom engineered seals designed for the particulars of each specific application. The mechanical capabilities of the HH Type-2 are dependent on the materials and processes involved in the application. We have a range of other seal models that may be more applicable if the HH Type-2 isn't a good fit for your application.



To learn more and to find out if the **HH Type-2** is the right seal for you, please give us a call, or submit an online application today!



woodex-meco.com | +1 207.371.2210 | sales@woodex-meco.com

216 Bay Point Road, Georgetown, ME 04548 U.S. | © Woodex Bearing Company, Inc. 2025